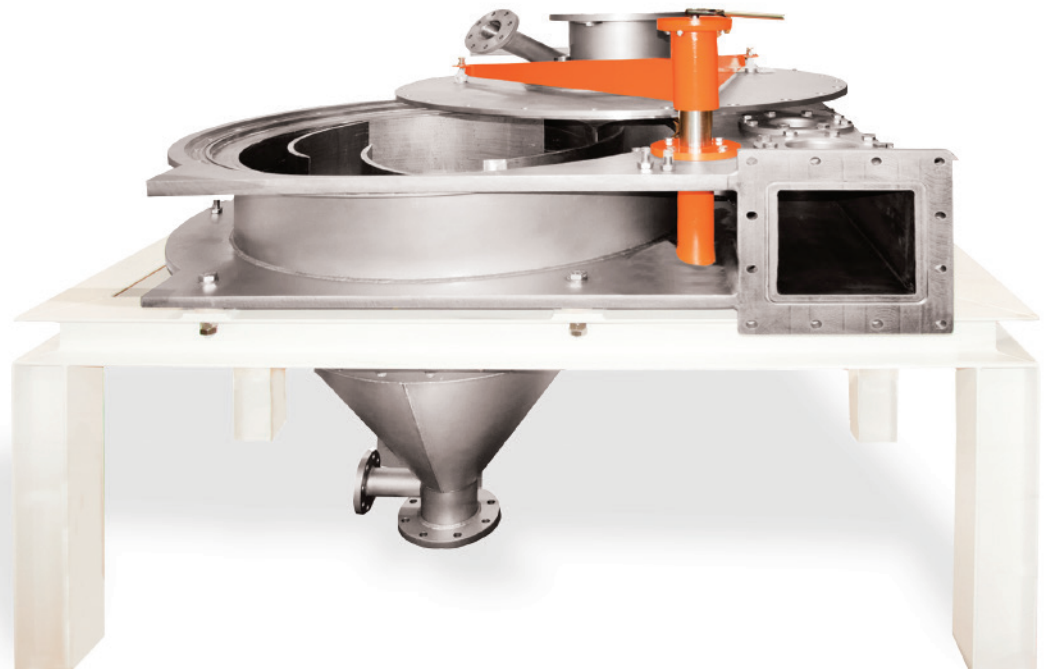


STATIC SPIRAL FLOW CLASSIFIER 35



POWDER CLASSIFIER

Bauermeister Static Spiral Flow Classifier

The static spiral flow classifier 3S is integrated in the cocoa pulverization plant. The ground cocoa powder contains particle sizes outside the specification of $d_{99.75} < 75 \mu\text{m}$. To ensure constant product quality and reliable limitation of the maximum particle size, coarse particles are separated in the spiral flow classifier 3S and fed back to the mill.

Bauermeister classifiers of the 3S series feature the following classifying properties:

- steep fine grain curves
- high selectivity
- gentle classification of the sensitive cocoa powder
- energetically favourable operation, because there are no moving or driven parts
- safe operation in case of sticky products thanks to smooth surfaces $R_a < 0.8$
- state-of-the-art technology, explosion-proof design up to 10 bar overpressure and compliance with the ATEX directive 94/9/EU

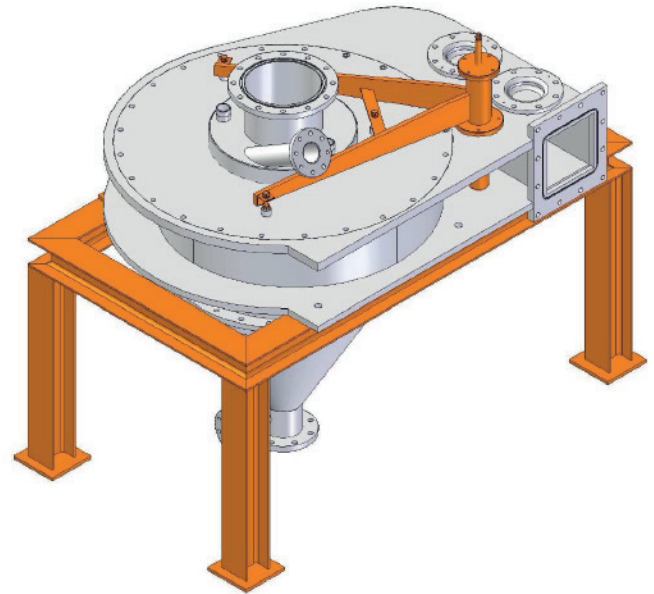
In the combination as classifier mill for cocoa pulverization, the classifiers are optimally adjusted to the mill series.

Advantages:

- adjustment of the cut point by simple adjustment of the buckets and air volume or of the product feed quantity
- no rotating parts
- easy and fast cleaning thanks to optimum accessibility of the classifier by opening the cover which is swivelled aside via a swivel arm

Operating principle:

- Operation within a wide range is possible by adjusting the buckets.
- Additional secondary air serves for fine adjustment of the cut point.
- Product feed with the process air facilitates connection in case of simultaneous operation with a mill.



Powder Classifier

Bauermeister

6060 Primacy Parkway | Suite 251 | Memphis, TN 38119 | USA

P +1 901 363 0921 **F** +1 901 794 9679

info.hdm-usa@h-d-m.com | www.BauermeisterUSA.com

