

DOUBLE ACTING PIN MILL



DOUBLE ACTING PIN MILL

Bauermeister Counter-Rotating Pin Mill

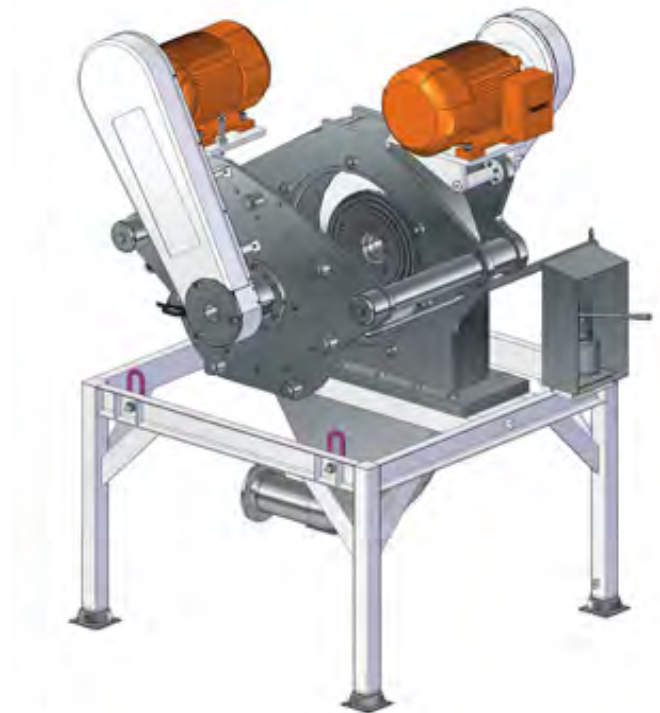
The Bauermeister counter-rotating pin mill UMP 4.4N Ex has been developed for cocoa pulverising. Between two pinned discs rotating in opposite directions, the cocoa press cake is disagglomerated and crushed.

The Bauermeister counter-rotating pin mill offers the following features:

- central feed of the cocoa press cake via hollow shafts (on door and housing sides) into the mill interior
- wear-resistant design of the pinned discs
- safe and trouble-free process control in continuous operation due to, among other things, smooth surfaces Ra < 0.8
- pressure surge protected design up to 10 bar overpressure and compliance with the ATEX directive 94/9/EU

Advantages:

- opening of the door by linear pulling-out via guide pins
- no disassembly of the motors / v-belts when opening the door, because one motor is mounted on the housing and one motor on the door
- fast cleaning of the mill interior space thanks to smooth surfaces Ra < 0.8
- designed as wide chamber housing to minimize accumulations and prevent blocking of the mill in case of high fat contents of 22-24 %
- optimum adjustment of pin rows and speed for gentle grinding of the cocoa press cake at optimum particle fineness
- additional cooling of process air possible via by-pass



Double Acting Pin Mill

Operating principle:

- The cocoa press cake is centrally fed between two rotating pinned discs via hollow shafts.
- The cocoa press cake is fed in on the door side and on the housing side.
- By impact and shearing loads the press cake is disagglomerated and crushed between the pins.
- Process air and centrifugal forces convey the product through the rotating pinned discs step by step outwards between the pins.
- The particle size can be influenced by the speed of the rotating pinned discs.

Bauermeister

6060 Primacy Parkway | Suite 251 | Memphis, TN 38119 | USA

P +1 901 363 0921 **F** +1 901 794 9679

info.hdm-usa@h-d-m.com | www.BauermeisterUSA.com

