

# POWDER CLASSIFIER



# POWDER CLASSIFIER

## Bauermeister Static Spiral Flow Classifier

The static spiral flow classifier 3S is integrated in the cocoa pulverization plant. The ground cocoa powder contains particle sizes outside the specification of  $d_{99.75} < 75 \mu\text{m}$ . To ensure constant product quality and reliable limitation of the maximum particle size, coarse particles are separated in the spiral flow classifier 3S and fed back to the mill.

### Bauermeister classifiers of the 3S series feature the following classifying properties:

- steep fine grain curves
- high selectivity
- gentle classification of the sensitive cocoa powder
- energetically favourable operation, because there are no moving or driven parts
- safe operation in case of sticky products thanks to smooth surfaces  $R_a < 0.8$
- state-of-the-art technology, explosion-proof design up to 10 bar overpressure and compliance with the ATEX directive 94/9/EU

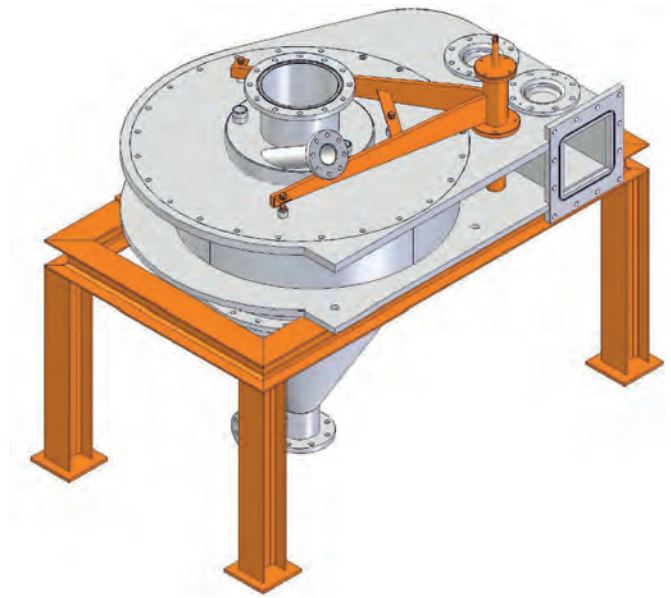
In the combination as classifier mill for cocoa pulverization, the classifiers are optimally adjusted to the mill series.

### Advantages:

- adjustment of the cut point by simple adjustment of the buckets and air volume or of the product feed quantity
- no rotating parts
- easy and fast cleaning thanks to optimum accessibility of the classifier by opening the cover which is swivelled aside via a swivel arm

### Operating principle:

- Operation within a wide range is possible by adjusting the buckets.
- Additional secondary air serves for fine adjustment of the cut point.
- Product feed with the process air facilitates connection in case of simultaneous operation with a mill.



Powder Classifier

HDM-USA | Bauermeister, USA

5100 Poplar Ave | Suite 607 | Memphis, TN 38137 | USA

**P** +1 901 363 0921 **F** +1 901 794 9679

info.hdm-usa@h-d-m.com | www.BauermeisterUSA.com

